

GPS DATA SHEET

Station Data

Station Name: COSM 09-07		Municipality: City of Salem	
Zone: Virginia South-4502	Convergence: -0° 55' 29"	Year Set: 2009	
Projection: Lambert	Combined Factor: 0.99990388	Year Recovered: 2009	
Horizontal Data	Datum: NAD 83	Scale Factor: 0.999947067	Order: 2nd
	Northing: 3623912.061	Easting: 11039547.504	
	Latitude: 37° 15' 56.88036" N	Longitude: 80° 01' 25.26724" W	
Vertical Data	Elevation Factor: 0.999956811	Order: 3rd	
	Elevation: (NGVD 29) 1009.53	Elevation: (NAVD 88) 1008.93	

Reference Station

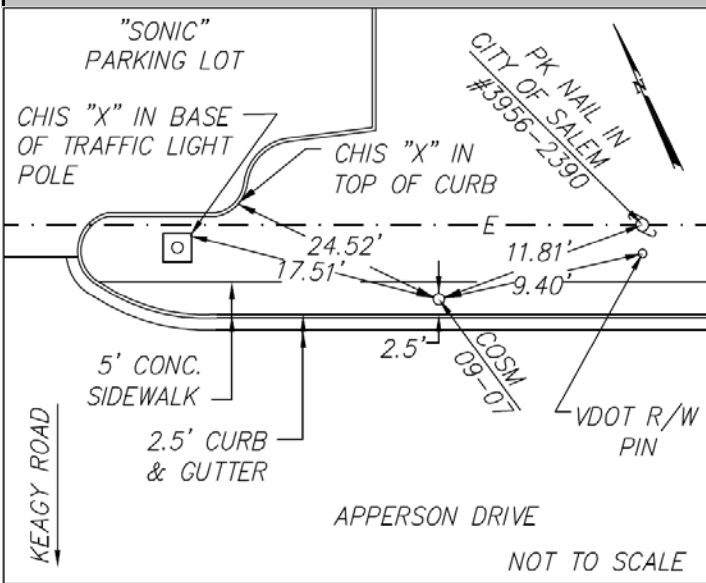
Station	Grid Distance	Grid Azimuth
COSM 09-08	1950.93'	310° 13' 33"

Station Location & Description

The station is set in the south east side of the City of Salem. To reach from the intersection of Apperson Drive and Electric Road (Route 419), go east on Apperson Drive to the intersection with Keagy Road. The monument is set in a concrete sidewalk on the north side of Apperson Drive at the northeast quadrant of the intersection of Apperson Drive and Keagy Road. The station is a brass disk, set in and flush with a concrete sidewalk in front of Sonic Drive-In at 2031 Apperson Drive and is stamped COSM 09-07.

This survey data prepared using 1 meter= 3.2808333333 feet.

Station Sketch



Station Photograph



CALDWELL WHITE ASSOCIATES
ENGINEERS / SURVEYORS / PLANNERS

4203 Melrose Avenue, NW
P.O. Box 6260
Roanoke, VA 24017

Phone: (540) 366-3400
Fax: (540) 366-8702
E-Mail: cwaroanoke@aol.com