

# GPS DATA SHEET

## Station Data

Station Name: <b>COSM 92-11</b>		Municipality: <b>City of Salem</b>	
Zone: <b>Virginia South</b>	Convergence: <b>-0° 56' 10.028"</b>	Year Set: <b>1992</b>	
Projection: <b>Lambert</b>	Combined Factor: <b>0.999893487</b>	Year Recovered: <b>2008</b>	
<b>Horizontal Data</b>	Datum: <b>NAD 83</b>	Scale Factor: <b>0.999946413</b>	Order: <b>2nd</b>
	Northing: <b>3631279.894</b>		Easting: <b>11034222.080</b>
	Latitude: <b>37° 17' 08.86504"N</b>		Longitude: <b>80° 02' 32.62974"W</b>
<b>Vertical Data</b>	Elevation Factor: <b>0.999947071</b>	Order: <b>3rd</b>	
	Elevation: (NGVD 29) <b>1106.65</b>	Elevation: (NAVD 88) <b>1106.05</b>	

## Reference Station

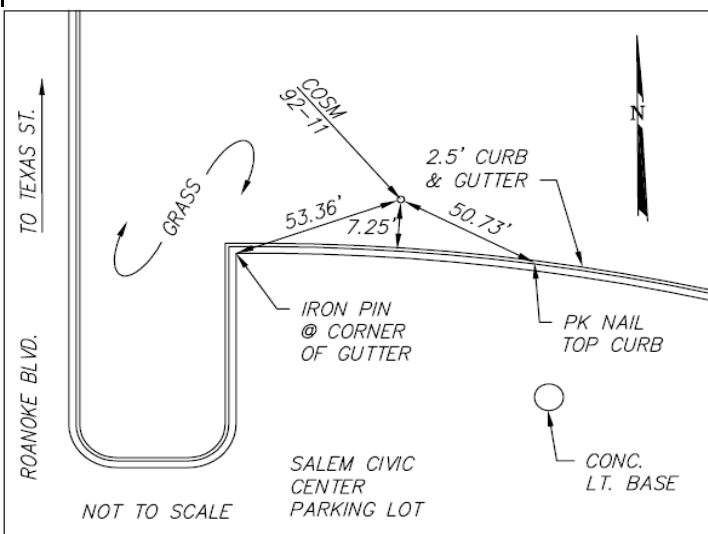
Station	Grid Distance	Grid Azimuth

## Station Location & Description

Point is a brass disk set in concrete (City of Salem Monument). Point is in a field at the Salem Civic Center. Said point is 210' ± east of the centerline of Roanoke Boulevard and 53' ± northeast of the northwest corner of the parking lot at the Salem Civic Center. Said point is also 425' ± south of the centerline of Texas Street.

Monument was set in 1992 by TPP&S and recovered in 2008 by Caldwell White Associates.  
Chain ties have been verified and witness card updated.  
This survey data prepared using 1 meter= 3.280833 feet.

### Station Sketch



### Station Photograph



**CALDWELL WHITE ASSOCIATES**  
ENGINEERS / SURVEYORS / PLANNERS

4203 Melrose Avenue, NW      Phone: (540) 366-3400  
P.O. Box 6260                      Fax: (540) 366-8702  
Roanoke, VA 24017                E-Mail: cwaroanoke@aol.com